



**PHOENIX**<sup>®</sup>  
DURABILITY X DESIGN™

## Sturdilite<sup>®</sup> E-DC Series

Low-voltage LED Floodlight

Durable, economic line of LED fixtures

Lightweight, compact design ideal for use on mobile equipment

Spot and flood optics minimize glare and provide precise optical control

LED technology increases efficiency, eliminates maintenance and supports green initiatives



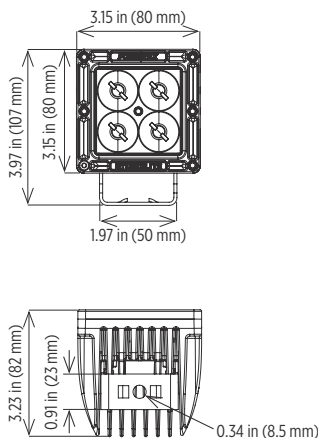
E15 & E36

E56

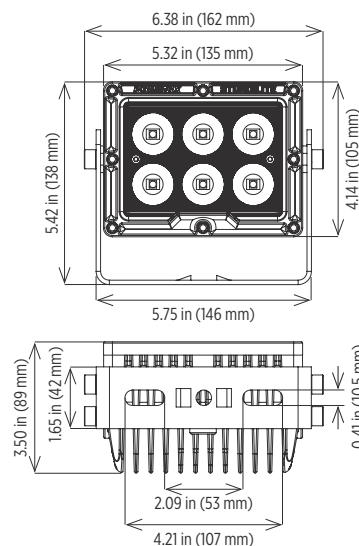
E90

### Dimensions

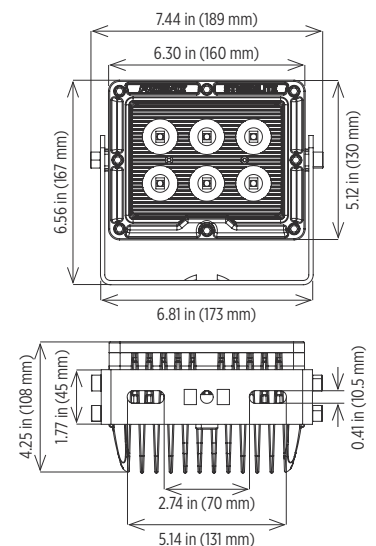
E15 & E36



E56



E90



# Sturdilite® E-DC Series

Low-voltage LED Floodlight

**PHOENIX®**  
DURABILITY X DESIGN™



## Specifications

<b>Construction</b>	Die cast aluminum housing
<b>Finish</b>	Black powder coat
<b>Hardware</b>	Stainless steel
<b>Lens</b>	Impact-resistant polymer Spot (SP) and flood (FL) optics Precise optical control minimizes glare
<b>Light source</b>	Cree light emitting diodes (LED) 15W (E15), 24W (E36), 56W (E56) or 90W (E90) Effective lumens: up to 880 lumens (15W), up to 1800 lumens (24W), 4500 lumens (56W) and 7100 lumens (90W) CCT 6000K 50,000 hour rated life
<b>Power source</b>	12-48V DC 10.00 inch cord with Deutsch connector Over-voltage , over-temperature and reverse polarity protection
<b>Wiring</b>	Stranded wires
<b>Ambient operating temperature</b>	-40°C to +65°C Light output regulation in high ambient temperature environments protects the life of the LEDs
<b>Shock</b>	65G along 3 axes
<b>Vibration</b>	5 Grms, 100-2200Hz along 3 axes
<b>Salt spray</b>	Tested to ASTM B117 for 1000 hours
<b>Aiming</b>	90° aiming capability
<b>Mounting</b>	Stainless steel harp
<b>Weight</b>	E15 fixture: 1.3 lb (0.6 kg) case (12 fixtures): 20.9 lb (9.5 kg) E36 fixture: 1.3 lb (0.6 kg) case (12 fixtures): 20.9 lb (9.5 kg) E56 fixture: 4.2 lb (1.9 kg) case (6 fixtures): 22.0 lb (10.0 kg) E90 fixture: 7.1 lb (3.2 kg) case (6 fixtures): 39.7 lb (18.0 kg)
<b>Case size</b>	E15: 17.32 in x 10.04 in x 10.04 in (440 mm x 255 mm x 255 mm) E36: 17.32 in x 10.04 in x 10.04 in (440 mm x 255 mm x 255 mm) E56: 20.47 in x 7.87 in x 9.84 in (520 mm x 200 mm x 250 mm) E90: 27.95 in x 17.32 in x 6.69 in (710 mm x 440 mm x 170 mm)
<b>Warranty</b>	3 years

## Certifications

CE  
IP69K

For IES files, see website or contact factory



Phoenix Lighting 8711 West Port Avenue Milwaukee, WI 53224 USA  
Phone: +1 414.973.3300 Toll Free: 800.438.1214 Fax: +1 414.973.3210 [www.phoenixlighting.com](http://www.phoenixlighting.com)

[info@ecolight.co.nz](mailto:info@ecolight.co.nz) | +649 272 5619 | [www.ecolight.co.nz](http://www.ecolight.co.nz)

**Ordering Information**

Example: E-36-SP

Fixture	Wattage	Optic
E	15	SP <sup>1</sup>
	36	FL
	56	
	90	

**Wattage**

15 15W, up to 880 effective lumens  
 36 24W, up to 1800 effective lumens  
 56 56W, up to 4500 effective lumens  
 90 90W, up to 7100 effective lumens

**Optic**

SP<sup>1</sup> Spot (SP)  
 FL Flood (FL)

**Notes**

1 Not available on E15 fixture

**Special Projects:** We may be able to accommodate your special projects, so please don't hesitate to ask about additional options. Minimum order quantities and/or extended lead times will apply. Contact your Phoenix representative with specific inquiries.

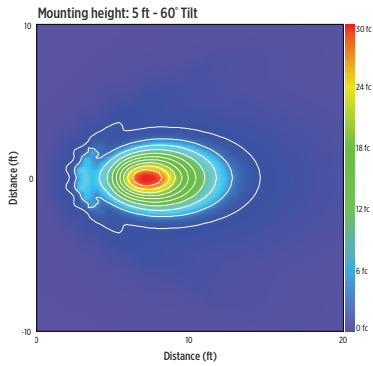


Sturdilite<sup>®</sup> E90 on a haul truck

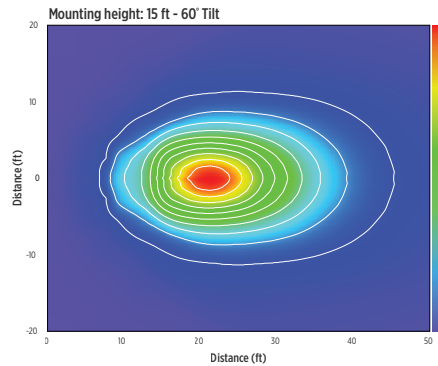


## Isolux Charts

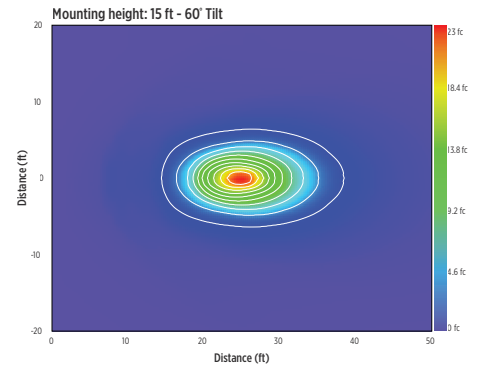
**E15 - Flood**



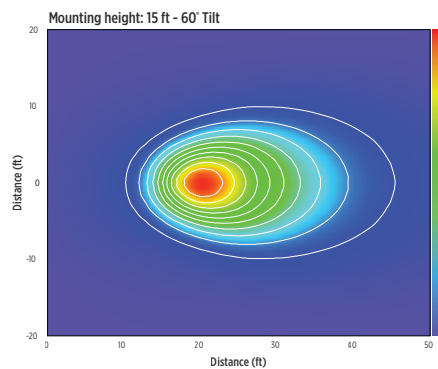
**E36 - Flood**



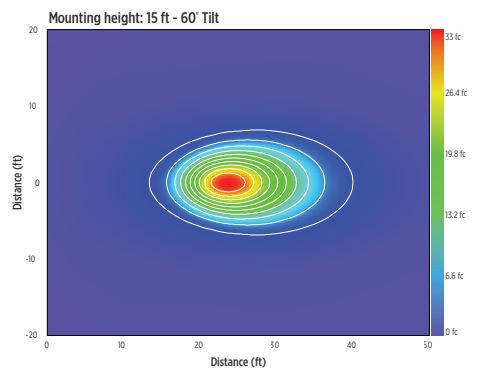
**E36 - Spot**



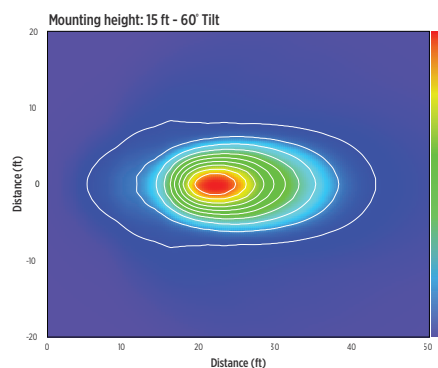
**E56 - Flood**



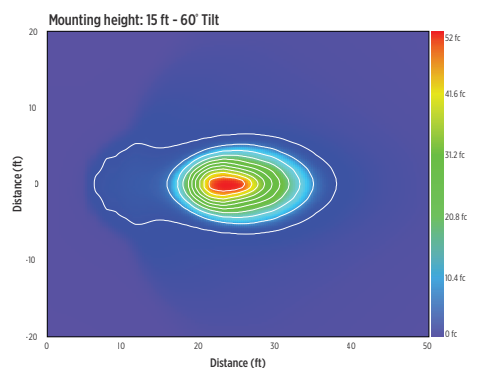
**E56 - Spot**



**E90 - Flood**



**E90 - Spot**



Cover photo: Sturdilite® E56 fixtures installed on a dozer

Product design and specifications are subject to change without notice. The most current version of this specification sheet can be found on our website: [www.phoenixlighting.com](http://www.phoenixlighting.com).